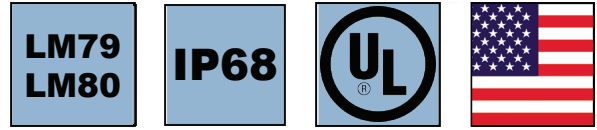


ActiveLED Retrofit for LSI RDB and RDS In-Ground

IN-GROUND LIGHTING



PROJECT INFORMATION

Project Name _____

Catalog No. _____ Date _____

DESCRIPTION

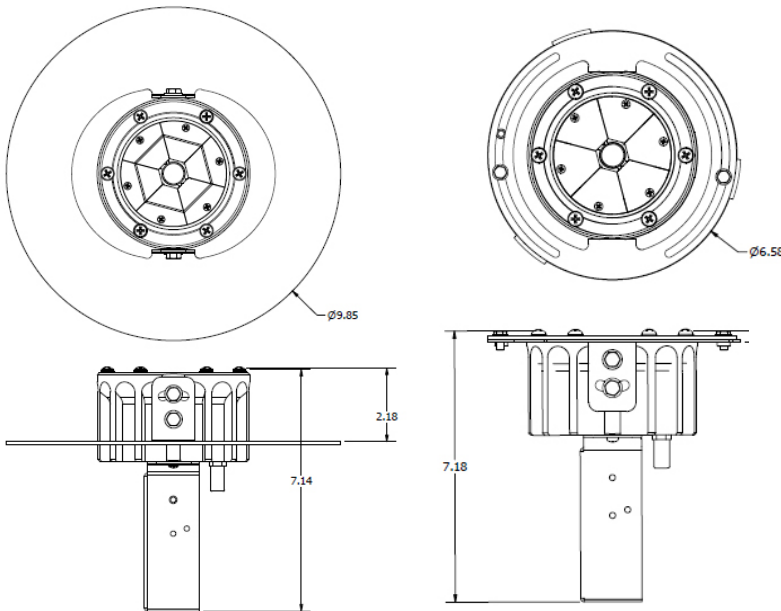
The U.S. - manufactured ActiveLED® RDS and RDB In-Ground Retrofit is an innovative, self-contained and factory-sealed LED light engine designed to easily replace the inefficient, high-wattage light bulb assembly in most existing Greenlee RDS 9" or RDB 13" in-ground buckets, providing energy savings of 50-89 percent. Businesses, municipalities, universities, colleges and military installations use Greenlee MDB style up-shining spotlights to illuminate or accent-light flag poles, building exteriors, parking structures and signage. The Greenlee RD Series is an in-ground round spotlight that employs bulb technology that is mounted inside a heat and corrosion-resistant "bucket". Typically, these lights have Metal Halide, High Pressure Sodium or CFL lamps and ballasts that run extremely hot and need regular maintenance.

Applications include: Trails, Walkway and Pathway Lighting, Flag Poles, Building exteriors



ActiveLED In-Ground Retrofit

DIMENSIONS



Dimensions for RDB Bucket Shown

Dimensions for RDS Bucket Shown

FEATURES

- ThermalDRAW™ Cooling Technology - Patented cooling technology ensures LED components will equal or exceed warranty.
- LightSpace® Lighting Controls - Fixture is capable of being programmed and controlled either individually or as part of a lighting zone via remote sensors, switches or building management system (BMS).
- Warranty - 10 Year Warranty on LED elements, fixture housing, and LED Driver.
- 15° Swivel Joint for RDS and 22° for RDB

NOTE: The LSI Greenlee in-ground "bucket", top lens and bezel are not included in the ActiveLED In-Ground Retrofit and can be ordered separately.



LIGHT OUTPUT	WATTS	LUMENS per WATT	LIGHT COLOR (CCT)
2,100 lm	16 W	130 lm/W	5,000 K

Note: Lumen output stated for Correlated Color Temperature (CCT) of 5000K will reduce for other CCTs and applies to a dirt and grime free fixture.

ActiveLED®
Energy Efficient Lighting and Controls



ActiveLED Retrofit for LSI RDB and RDS In-Ground

IN-GROUND LIGHTING

PERFORMANCE DATA

AMBIENT TEMPERATURES	0 HOURS	45,000 HOURS	90,000 HOURS
77°F (25°C)	1.00	0.99	0.99
104°F (40°C)	1.00	0.98	0.96
131°F (55°C)	1.00	0.96	0.92
140°F (60°C)	1.00	0.95	0.90

Projected Lumen Maintenance (TM-21)

NOTE: Calculated using data collected according to LM-80 lumen maintenance on the LED package.

NOTE: Photometrics shown for RDB 18W only. Contact company for photometrics on other sizes.

GENERAL SPECIFICATIONS

Input Voltage	100-277 VAC, 50/60 Hz Auto Sensing	LED Optics	IP68 rated, thermally bonded LEDs, Clear polycarbonate lens w/silicone sealing. Patented thermal management mounting system
Input Power	18 Input Watts 16 LED Watts	CCT	2700K, 3000K, 3500K, 4000K, or 5000K
Power Factor	> 0.95 (at ~100-277 Volts)	Housing	Extruded aluminum for enclosure and heat sinking parts, stainless steel hardware
THD	Total Harmonic Distortion (THD) <20% (typical 9.9%)	Finish	Powder coated after fabrication
Driver	Integral driver with integrated intelligent controls and integral heat sink	Dimensions	Ø9.45" x 5.12" Depth for RDB Style, and Ø7.25" x 6.66" Depth for RDS Style
Operating Temperature	-58° F to 149° F (-50° C to 65° C)	Weight	4.6 lbs. (2.08 kg)
Lumen Lifetime	L90/90K Hrs @ 60° C (90,000 Hrs with 90% Luminous Flux)		

WARRANTY

Ten (10) Year Warranty - LEDs, Fixture, and Driver shall conform to its published specifications under normal usage and operating conditions including "no light loss" of more than 10% at the end of the period. LEDs will produce at least 90% of their initial light output with no color shift after 90,000 hours of operation.

LISTINGS AND TESTS

cUL listed driver, UL 1598, CE, suitable for exterior locations. RoHS compliant. IP65 Rated optical assembly. LM-79 and LM-80 info available. Conforms to FCC Part 15.19 Subpart B Class A. Made in USA - ARRA Compliant.

ORDERING INFORMATION

Example: IGSRDB-U-C5016-WH

IGS		U	C		16	WH
Series	Bucket Style	Voltage	Diffuser	CCT	Watts	Color
IGS In-Ground Retrofit	RDB 13" Bucket Diameter	U 100-277 VAC, 50/60 Hz Auto Sensing	C High Impact Resistant Clear Polycarbonate	50 5,000K	18	WH White
	RDS 9.5" Bucket Diameter			40 4,000K		
				35 3,500K		
				30 3,000K		
				27 2,700K		